

DOSING PUMPS

MixRite | Agriculture • Livestock • Industry

MixRite DOSING PUMPS

About TEFEN

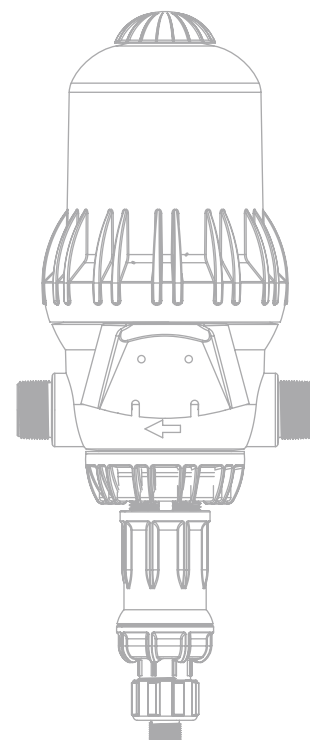
Tefen is a leading manufacturer of environmental friendly, non-electric volumetric equipment and flow products since 1973.

Tefen's MixRite line of water driven proportional dosing pumps, are used to ensure precise additive injection directly into the water or fluid line under various flow rates, feed ratios and different ranges of pressure. These injectors are extremely durable, manufactured from engineered composite materials to withstand the rigors of the elements, as well as chemicals and acids for injection.

Tefen offers the MixRite pumps for a variety of applications such as medication for livestock, cleaning or disinfecting fluid lines, sanitizing water systems, car wash, cost effective fertilizing, and pest control for crops and plants. Tefen's injectors are adaptable simple to use and cost effective, while creating a long-lasting solution for your needs.

The Tefen MixRite water powered dosing pump is a simple, user friendly and ingenious system that has demonstrated its value in over 90 countries.

Tefen is certified by ISO 9001 2008



Applications

Livestock

The MixRite for livestock guarantees control over doses of treatments injected through drinking water, which is the ideal distribution method, from first day of the flock. In all kinds of livestock (poultry, pork, cattle, rabbits, etc.), the MixRite proportional dosing pump will enable you to dose treatments such as antibiotics, probiotics, enzymes, supplements (vitamins, minerals, etc.) into the water line. The proportionality of MixRite pumps guarantee the correct dose independently by pressure and water flow variations (animal consumption).

Fertilizing

The objectives of fertigation are to control water quantities and added nutrients necessary for optimum growth of crops. MixRite proportional injection technology means less waste, plus a better mix for fertilizers, pesticides and other water-soluble products.

Cleaning or disinfecting fluid lines

MixRite water powered proportional dosing pumps can be used for automatic preparation of disinfecting, lubricating and detergent solutions. MixRite injectors operate without electricity, they can also be used in remote areas for water purification to prevent and control disease.

Car washing

MixRite pumps are the perfect solution for car wash facilities of all types and sizes. It lowers the cost-per-car expense, while using less space, energy and chemical waste.

Sanitizing water systems

The sanitation and hygiene industry requires exceedingly accurate and reliable chemical mixing and injection solutions. MixRite injectors are used in market applications like hospitals, restaurants, food services, and supermarkets. MixRite pumps are easily installed in fixed or mobile installations often including static mixers, maturing tanks, flow meters, etc.



MixRite DOSING PUMPS

Features

- Mixes additive and water precisely
- The dosage can be adjusted easily and quickly
- Repair is simple and inexpensive
- Key internal parts are from the highest quality material available (hastelloy spring, Viton Rubber seal)

Advantages

- Works at low flow rate
- Easy to field maintenance
- Highly chemical resistant
- Good blending
- Highly resistant to UV damage
- Easy to install
- No electricity needed
- Easy to adjust dosing rate
- Replaceable seals

Determining the right MixRite model for each application is done according to the customer's needs and the system specifications.

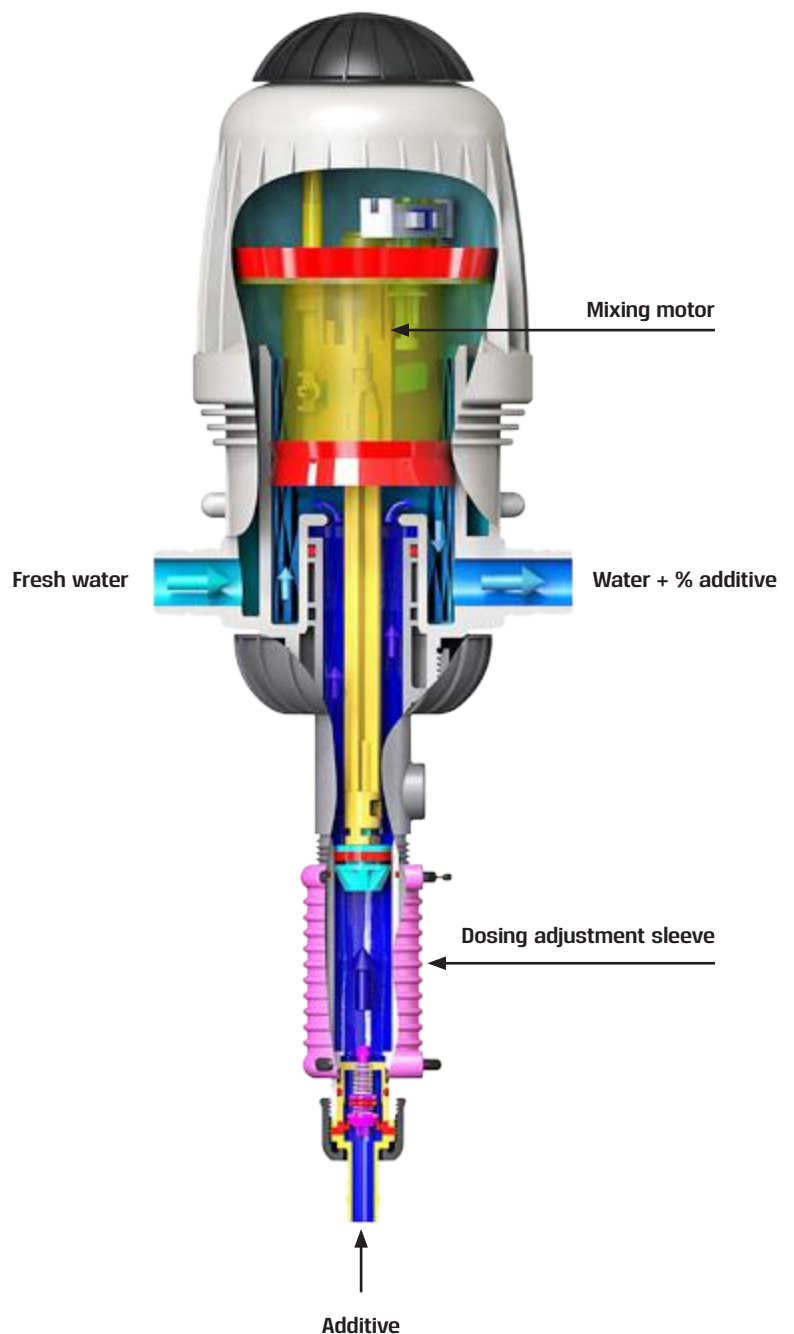
Adjusting the MixRite pump

The injection rate is set up manually by rotating the sleeve to the desired proportion. The amount of injected concentrate is proportional to the amount of water flowing into the MixRite pump.



Operating principle

The unit will automatically start working when water is flowing in the water line and turn off continue until the flow will stop; it is possible to control the suction (intake) operation by using the models with the On/Off system.



Simplicity by design

Simple maintenance

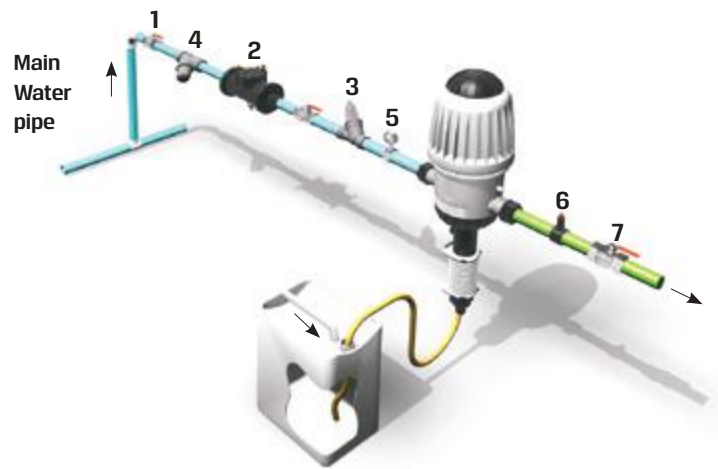
MixRite is the most simple injector to use. Less maintenance is required and no technician is needed for changing spare parts.

Simple installation

MixRite is a "Plug and Play" unit. Installation of the MixRite can be done using the instructions which are attached to each unit.

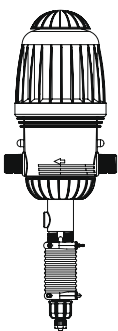
Recommended standard Installation inline

1. Main Valve
2. Back flow preventor
3. Pressure regulator
4. Filter - 130 Micron Min. (130 mesh)
5. Manometer (pressure gauge)
6. Anti siphon Valve
7. Operation Valve

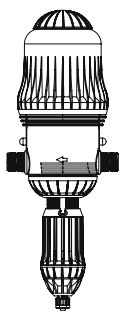


MixRite Range

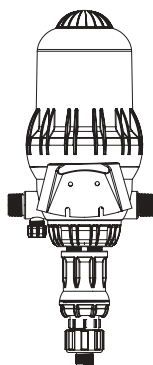
2.5



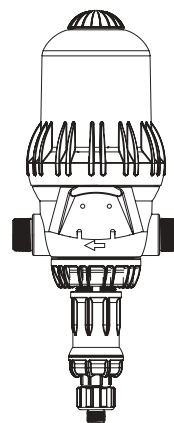
3.5



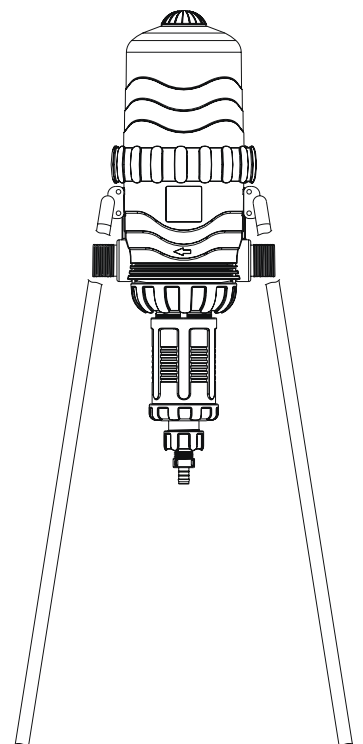
TF - 5



TF - 10



TF - 25



MixRite DOSING PUMPS

2.5 m³/h

MixRite 2.5 Series | Low Flow Rate

Available options

Manual ON/OFF Hydraulic ON/OFF Electric ON/OFF



Technical Information

Water pressure | 0.2 - 8 bar (2.9 - 120 psi)
 Flow Rate | 7 - 2500 l/h (1.85 - 660) gal/h
 Working temp | 4-40° C (39.2-104° F)
 Coupling | 3/4"

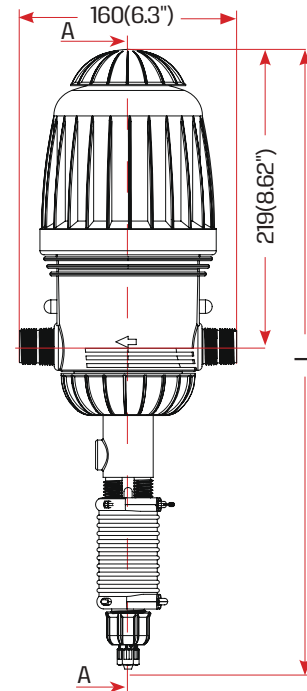


By Pass models



Internal bypass

External bypass



L (Height)	
	Air Release
Max.	528 (20.7")
Min.	497 (19.5")

Application Color Code

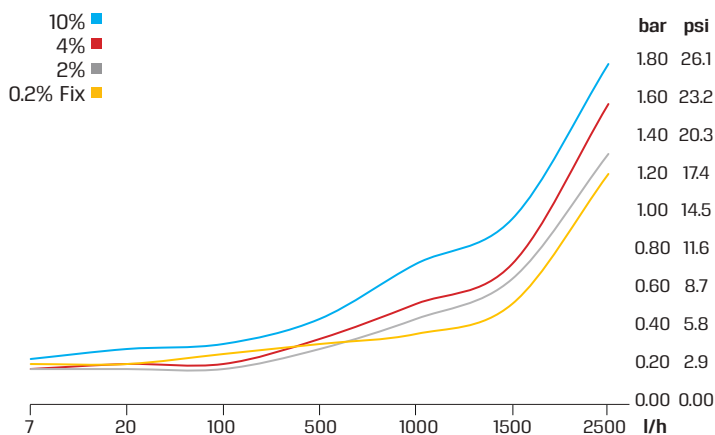
Application	Sleeve Color	TEFEN Code	Seal Material	Spring Material
Irrigation	Grey	STD	NBR	SST
Livestock	Red	PO	NBR, EPDM	SST, Hastelloy
Acids	White	PVDF	AFLAS	Hastelloy
Chlorine	Purple	CL	Viton	Hastelloy
Industry	Black	C	EPDM, AFLAS	SST, Hastelloy
Car Wash	Cyan	CW	AFLAS	SST, Hastelloy
Landscaping	Green	STD	NBR	SST



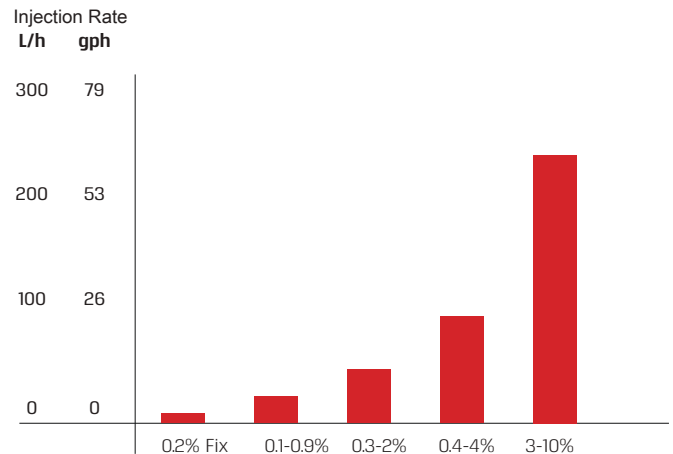
Application Range

Dosage Rate %	Applications	Flow Rate Range	Pressure Range	Dosage Rate	Connectors Dia. Thread	Min-Max Injection Rate Per Hour	Gross weight std unit
0.2% fix	Landscaping	7-2500 l/h 0.03 to 11gpm	0.2-8 bar 2.9-120 psi	1:500	3/4" BSPT	0.014 - 5 l/h 0.004 - 1.32gph	1.4 KG 3.08 lbs
0.8% fix	Livestock	7-2500 l/h 0.03 to 11gpm	0.2-8 bar 2.9-120 psi	1:128	3/4" BSPT	0.056 - 20 l/h 0.015 - 5.3gph	1.5 KG 3.30 lbs
1% fix	Landscaping/Irrigation	7-2500 l/h 0.03 to 11gpm	0.2-8 bar 2.9-120 psi	1:100	3/4" BSPT	0.07 - 25 l/h 0.018 - 6.6gph	1.5 KG 3.30 lbs
0.1%-0.9%	Irrigation / Chlorine / Acids / Livestock / Car Wash	7-2500 l/h 0.03 to 11gpm	0.2-8 bar 2.9-120 psi	1:1000 - 1:111	3/4" BSPT	0.007 - 22.5 l/h 0.005 - 5.95gph	1.8 KG 3.97 lbs
0.3%-2%	Irrigation / Chlorine / Acids / Livestock / Car Wash	7-2500 l/h 0.03 to 11gpm	0.2-8 bar 2.9-120 psi	1:333 - 1:50	3/4" BSPT	0.021 - 50 l/h 0.006 - 13.22gph	1.8 KG 3.97 lbs
0.4%-4%	Irrigation / Chlorine / Acids / Livestock / Car Wash	7-2500 l/h 0.03 to 11gpm	0.2-8 bar 2.9-120 psi	1:250 - 1:25	3/4" BSPT	0.028 - 100 l/h 0.007 - 26.5gph	1.8 KG 3.97 lbs
3%-10%	Industry / Car Wash	50-2500 l/h 0.22 to 11gpm	0.2-8 bar 2.9-120 psi	1:33.3 - 1:10	3/4" BSPT	1.5 - 250 l/h 0.4 - 66.14gph	3.2 KG 7.05 lbs
0.3%-2% by-pass	Irrigation / Chlorine / Acids / Livestock	20-2500 l/h 0.088 - 11gpm	0.2-8 bar 2.9-120 psi	1:333 - 1:50	3/4" BSPT	0.06 - 50 l/h 0.016 - 13.22gph	1.9 KG 4.19 lbs
0.4%-4% by-pass	Irrigation / Chlorine / Acids / Livestock	20-2500 l/h 0.088 - 11gpm	0.2-8 bar 2.9-120 psi	1:250 - 1:25	3/4" BSPT	0.08 - 100 l/h 0.021 - 26.5gph	1.9 KG 4.19 lbs
0.3%-2% Internal by-pass	Irrigation / Chlorine / Acids / Livestock	20-2500 l/h 0.088 - 11gpm	0.2-8 bar 2.9-120 psi	1:333 - 1:50	3/4" BSPT	0.06 - 50 l/h 0.016 - 13.22gph	1.9 KG 4.19 lbs
0.4%-4% Internal by-pass	Irrigation / Chlorine / Acids / Livestock	20-2500 l/h 0.088 - 11gpm	0.2-8 bar 2.9-120 psi	1:250 - 1:25	3/4" BSPT	0.08 - 100 l/h 0.021 - 26.5gph	1.8 KG 3.97 lbs
3%-10% Internal by-pass	Industry / Car Wash	50-2500 l/h 0.22 to 11gpm	0.2-8 bar 2.9-120 psi	1:33.3 - 1:10	3/4" BSPT	1.5 - 250 l/h 0.4 - 66.14gph	3.2 KG 7.05 lbs

Pressure Loss



Max. injection rate/h



MixRite DOSING PUMPS

3.5 m³/h

MixRite 3.5 Series

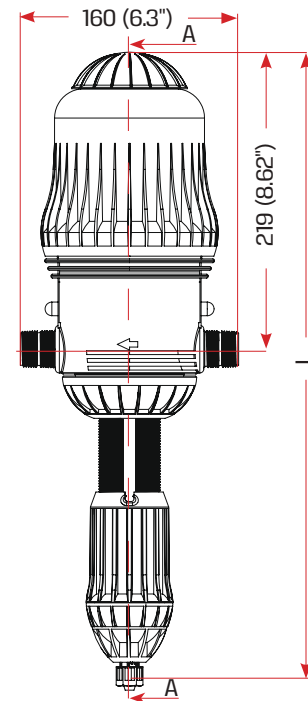
Available options

Manual ON/OFF Hydraulic ON/OFF Electric ON/OFF



Technical Information

Water pressure | 0.2 - 8 bar (2.9 - 120 psi)
 Flow Rate | 10 - 3500 l/h (265 - 930) gal/h
 Working temp | 4-40° C (39.2-104° F)
 Coupling | 3/4"



L (Height)	
	Air Release
Max.	551 (21.7")
Min.	471 (18.5")

Application Color Code

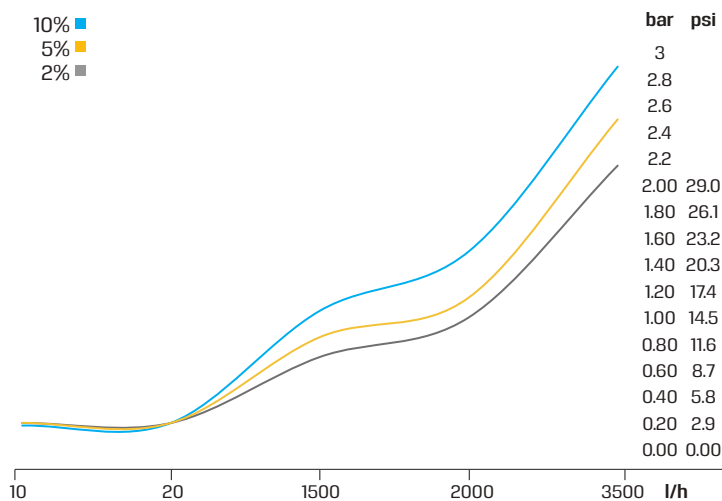
Application	Sleeve Color	TEFEN Code	Seal Material	Spring Material
Irrigation	Grey	STD	NBR	SST
Livestock	Red	PO	NBR, EPDM	SST, Hastelloy
Acids	White	PVDF	AFLAS	Hastelloy
Chlorine	Purple	CL	Viton	Hastelloy
Industry	Black	C	EPDM, AFLAS	SST, Hastelloy
Car Wash	Blue	CW	AFLAS	SST, Hastelloy
Landscaping	Green	STD	NBR	SST



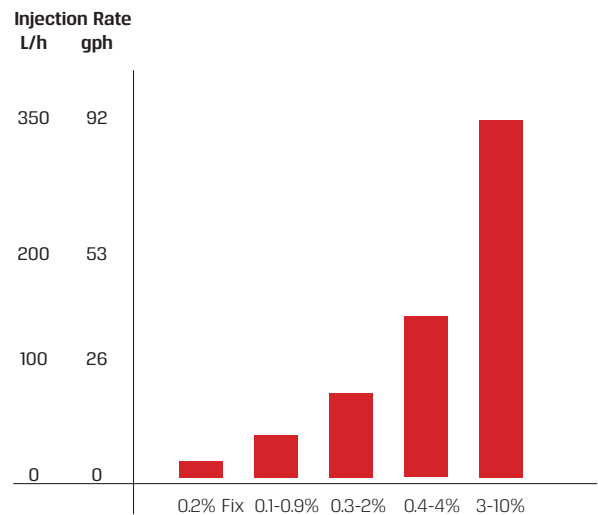
Application Range

Dosage Rate %	Applications	Flow Rate Range	Pressure Range	Dosage Rate	Connectors Dia. Thread	Min-Max Injection Rate Per Hour	Gross weight std unit
0.03% - 0.2%	Water Treatment / Chlorine / Car Wash	10-3500 l/h 0.04 to 15.5 gpm	0.2-8 bar 2.9-120 psi	1:3333 - 1:500	3/4" BSPT	0.003 - 7 l/h 1.85gph	1.9 KG 4.19 lbs
0.1%-0.9%	Irrigation / Livestock / Car Wash	10-3500 l/h 0.04 to 15.5 gpm	0.2-8 bar 2.9-120 psi	1:1000 - 1:111	3/4" BSPT	0.01 - 31.5 l/h 0.003 - 8.32gph	1.9 KG 4.19 lbs
0.3%-2%	Irrigation / Livestock / Car Wash	10-3500 l/h 0.04 to 15.5 gpm	0.2-8 bar 2.9-120 psi	1:333 - 1:50	3/4" BSPT	0.03 - 70 l/h 0.008 - 18.5gph	1.9 KG 4.19 lbs
0.5%-5%	Irrigation / Livestock / Car Wash	10-3500 l/h 0.04 to 15.5 gpm	0.2-8 bar 2.9-120 psi	1:200 - 1:20	3/4" BSPT	0.05 - 175 l/h 0.013 - 46.23gph	1.9 KG 4.19 lbs
0.5%-5%	Acids	20-3500 l/h 0.088 to 15.5 gpm	0.2-8 bar 2.9-120 psi	1:200 - 1:20	3/4" BSPT	0.05 - 175 l/h 0.013 - 46.23gph	1.9 KG 4.19 lbs
1%-10%	Irrigation / Livestock / Car Wash / Acids	50-3500 l/h 0.22 - 15.5gpm	0.2-8 bar 2.9-120 psi	1:100 - 1:10	3/4" BSPT	0.5 - 350 l/h 0.132 - 95.592.5gph	3.0 KG 6.61 lbs

Pressure Loss



Max. injection rate/h



MixRite DOSING PUMPS

5 m³/h

MixRite TF-5

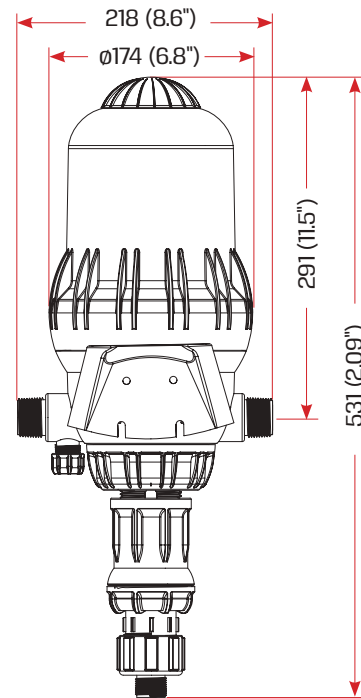
Available models

Manual ON/OFF Hydraulic ON/OFF Electric ON/OFF



Technical Information

Water pressure | 1 - 8 bar (14.7 - 120 PSI)
 Flow Rate | 0.2 - 5 m³/h (0.8 - 22 GPM)
 Working temp | 4-40° C (39.2-104° F)
 Coupling | 1" or 32 mm
 * Legs available upon special request



L (Height)	
	Air Release
Max.	680 (26.7")
Min.	585 (23")

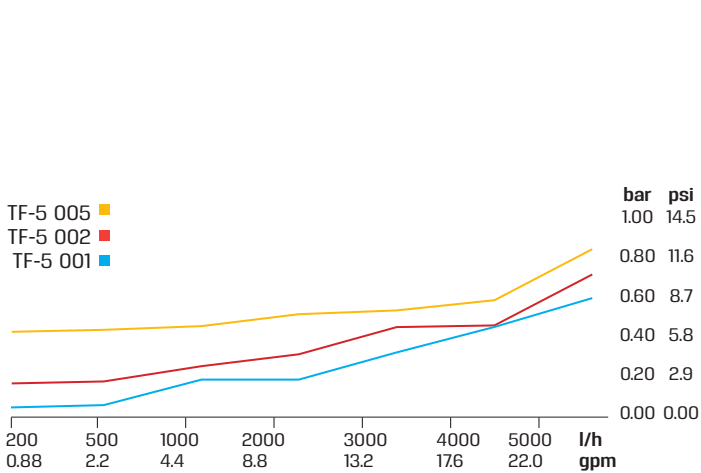
Application Color Code

Application	Sleeve Color	TEFEN Code	Seal Material	Spring Material
Irrigation	Blue		NBR	SST
Livestock	Red	PO	EPDM	SST, Hastelloy
Chlorine	Purple	CL	Viton	Hastelloy

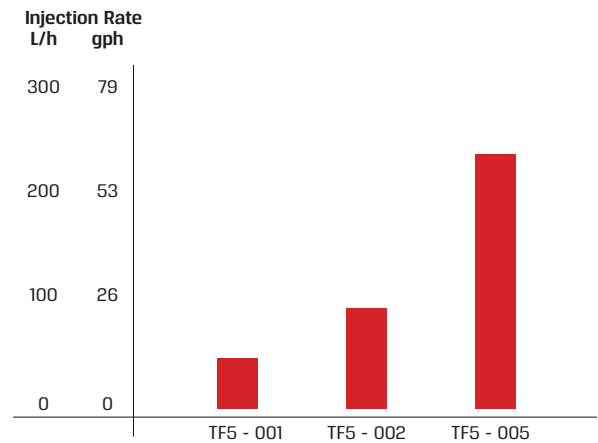
Application Range

Dosage Rate %	Applications	Flow Rate Range	Pressure Range	Dosage Rate	Connectors Dia. Thread	Min-Max Injection Rate Per Hour	Gross weight std unit
0.1%- 1%	Irrigation / Chlorine / Livestock	0.02-5 m ³ /h 0.088- 22 gpm	1-8 bar 14.7-120 psi	1:1000 - 1:100	1" BSPT/NPT	0.02 - 50 l/h 0.005 -13.2gph	5 KG 11.02 lbs
0.2% - 2%	Irrigation / Chlorine / Livestock	0.02-5 m ³ /h 0.088- 22 gpm	1-8 bar 14.7-120 psi	1:500 - 1:50	1" BSPT/NPT	0.04 - 100 l/h 0.011 -26.42gph	5 KG 11.02 lbs
0.5% - 5%	Irrigation / Chlorine / Livestock	0.02-5 m ³ /h 0.088- 22 gpm	1-8 bar 14.7-120 psi	1:200 - 1:20	1" BSPT/NPT	0.1 - 250 l/h 0.026 -66.06gph	5 KG 11.02 lbs

Pressure Loss



Max. injection rate/h



MixRite DOSING PUMPS

10 m³/h

MixRite TF-10

Available options

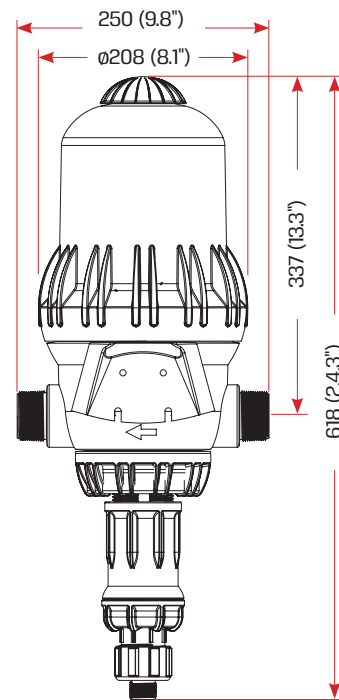
Manual ON/OFF Hydraulic ON/OFF Electric ON/OFF



Technical Information

Water pressure | 1 - 8 bar (14.7 - 120 PSI)
 Flow Rate | 0.5 - 10 m³/h (2 - 45 GPM)
 Working temp | 4-40° C (39.2-104° F)
 Coupling | 1.5" or 50 mm

* Legs available upon special request



		L (Height)	
		On/Off	Air Release
Max.		760 (29.9")	660 (26")
Min.		720 (28.34")	625 (24.6")

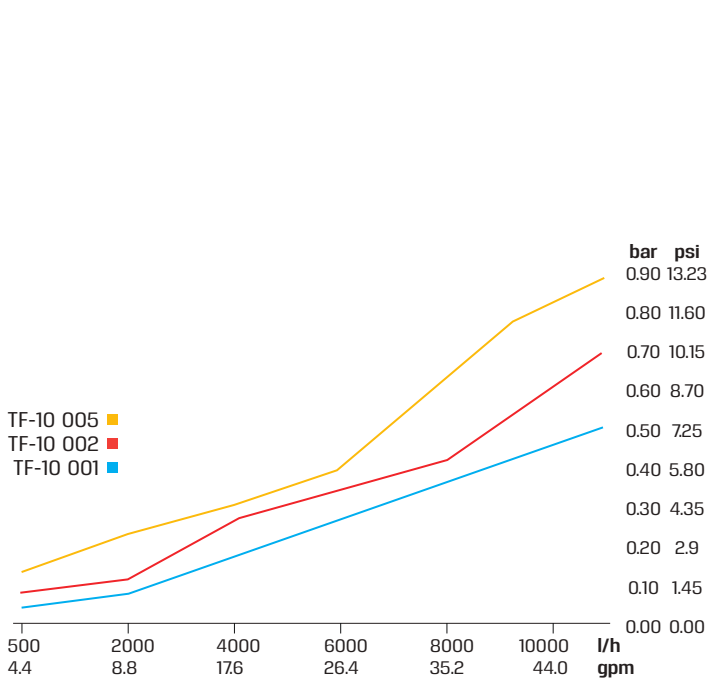
Application Color Code

Application	Sleeve Color	TEFEN Code	Seal Material	Spring Material
Irrigation			NBR	SST
Chlorine		CL	Viton	Hastelloy

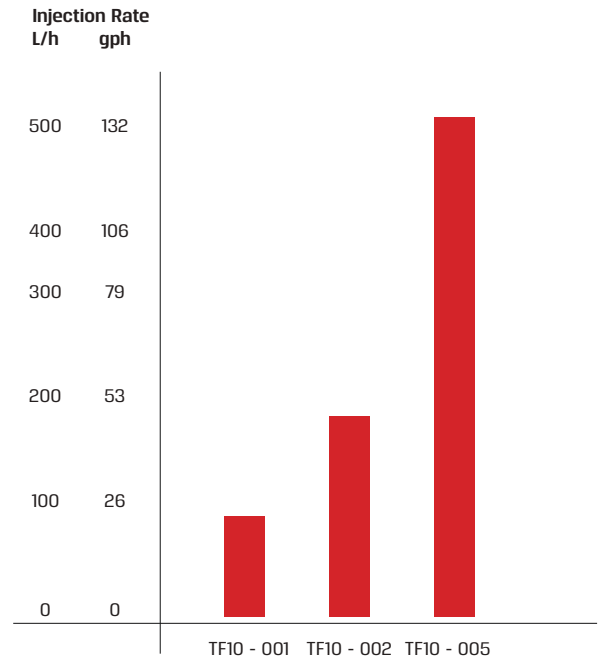
Application Range

Dosage Rate %	Applications	Flow Rate Range	Pressure Range	Dosage Rate	Connectors Dia. Thread	Min-Max Injection Rate Per Hour	Gross weight std unit
0.1%- 1%	Irrigation / Chlorine / Livestock	0.05-10 m ³ /h 0.2- 45 gpm	1-8 bar 14.7-120 psi	1:1000 - 1:100	1 1/2" BSPT/ NPT	0.05 - 100 l/h 0.013 -26.5gph	7.3 KG 16.09 lbs
0.2% - 2%	Irrigation / Chlorine / Livestock	0.05-10 m ³ /h 0.2- 45 gpm	1-8 bar 14.7-120 psi	1:500 - 1:50	1 1/2" BSPT/ NPT	0.1 - 200 l/h 0.026 -53gph	7.3 KG 16.09 lbs
1% - 5%	Irrigation / Chlorine / Livestock	0.05-10 m ³ /h 0.2- 45 gpm	1-8 bar 14.7-120 psi	1:100 - 1:20	1 1/2" BSPT/ NPT	0.5 - 500 l/h 0.132 -132.3gph	7.3 KG 16.09 lbs

Pressure Loss



Max. injection rate/h



MixRite DOSING PUMPS

25 m³/h

MixRite TF-25

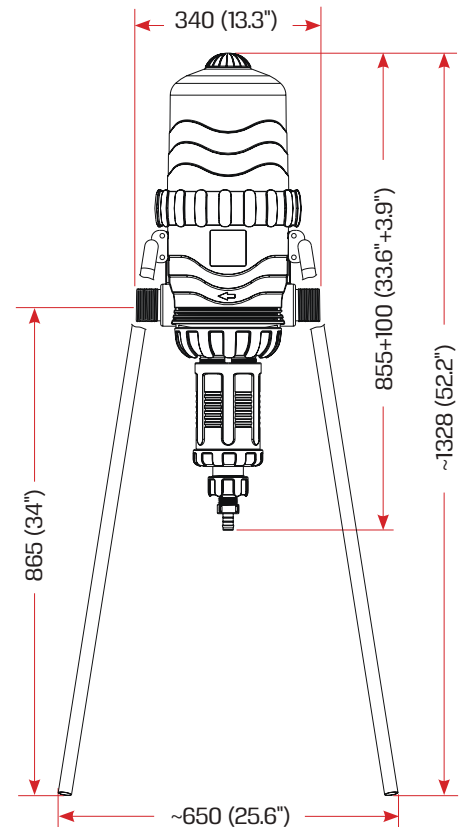
Available options

Manual ON/OFF Hydraulic ON/OFF Electric ON/OFF



Technical Information

Water pressure | 1 - 8 bar (14.7 - 120 PSI)
 Flow Rate | 2 - 25 m³/h (9-110 GPM)
 Working temp | 4-40° C (39.2-104° F)
 Coupling | 2" or 63 mm
 * Legs - Standard supply



	L (Height)	
	On/Off	Air Release
Max.	1030 (40.5")	1000 (39.3")
Min.	880 (34.6")	900 (35.4")

Application Color Code

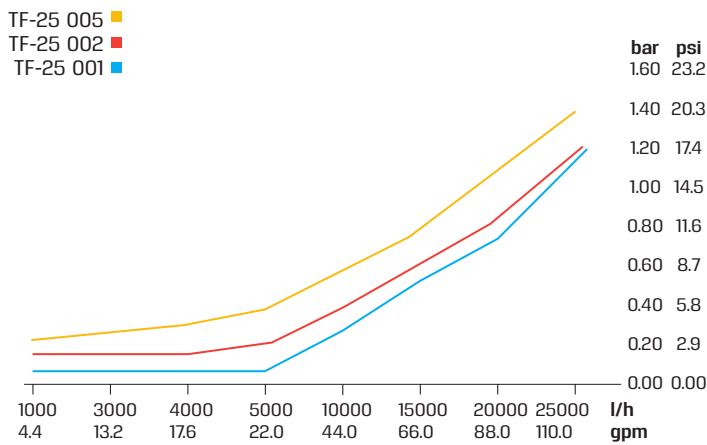
Application	Sleeve Color	TEFEN Code	Seal Material	Spring Material
Irrigation			NBR	SST
Chlorine		CL	Viton	Hastelloy



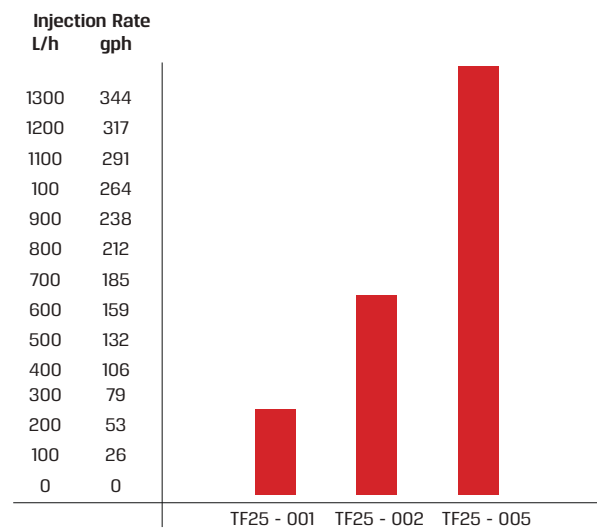
Application Range

Dosage Rate %	Applications	Flow Rate Range	Pressure Range	Dosage Rate	Connectors Dia. Thread	Min-Max Injection Rate Per Hour	Gross weight std unit
0.1%- 1%	Irrigation / Chlorine / Livestock	0.2-25 m³/h 0.9-110 gpm	1-8 bar 14.7-120 psi	1:1000 - 1:100	2" BSPT/NPT	0.2 - 250 l/h 0.053 -66.14gph	18.5 KG 40.79 lbs
0.3% - 2.5%	Irrigation / Chlorine / Livestock	0.2-25 m³/h 0.9-110 gpm	1-8 bar 14.7-120 psi	1:333 - 1:40	2" BSPT/NPT	0.6 - 625 l/h 0.159 -165.4gph	18.5 KG 40.79 lbs
1% - 5.5%	Irrigation / Chlorine / Livestock	0.2-25 m³/h 0.9-110 gpm	1-8 bar 14.7-120 psi	1:100 - 1:18.2	2" BSPT/NPT	2.0 - 1375 l/h 0.53 -364gph	18.5 KG 40.79 lbs

Pressure Loss



Max. injection rate/h



MixRite DOSING PUMPS

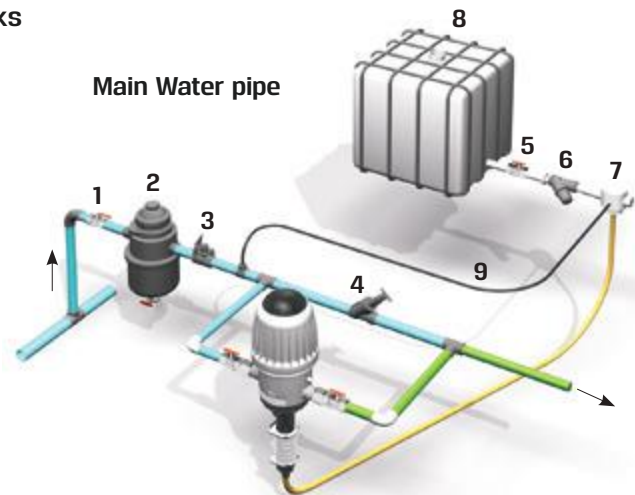
Typical installation

Available option

Tefen's Mixrite offers pumps for a variety of applications such as: cost effecting fertilizing, adding medication for livestock, cleaning or disinfecting fluid lines, car washing, sanitizing water systems and more. MixRite offers a wide range of sizes and flow rates, and can be installed in a broad array of system configurations, besides being put.

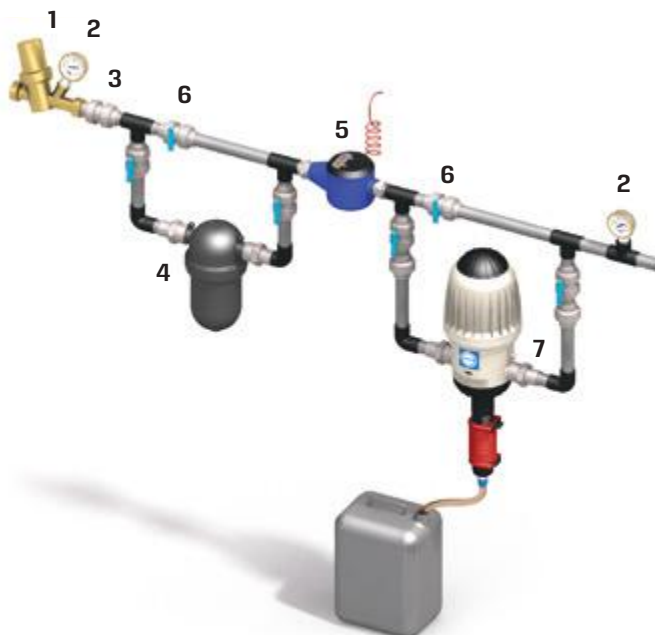
Typical bypass installation when using large fertilizer tanks

1. Main Valve
2. Filter - \varnothing 3/4"-130 Micron Min.
3. Pressure regulator
4. Choking Valve
5. PVC fertilizer Valve
6. Fertilizer Filter
7. Normally closed hydraulic Fertilizer Valve
8. Fertilizer solution tank
9. 5/16" command tube



Typical plumbing control for Livestock application

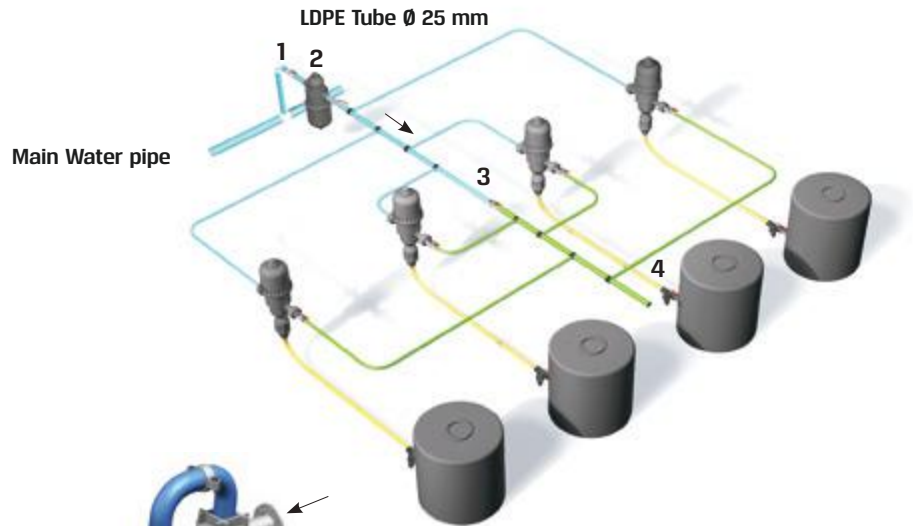
- 1 Pressure regulator
- 2 Pressure Gauge
- 3 Check Valve
- 4 Water filter - 120 mesh minimum
- 5 Water Meter with Pulse
- 6 Bypass valve
- 7 MixRite Medicator



MixRite

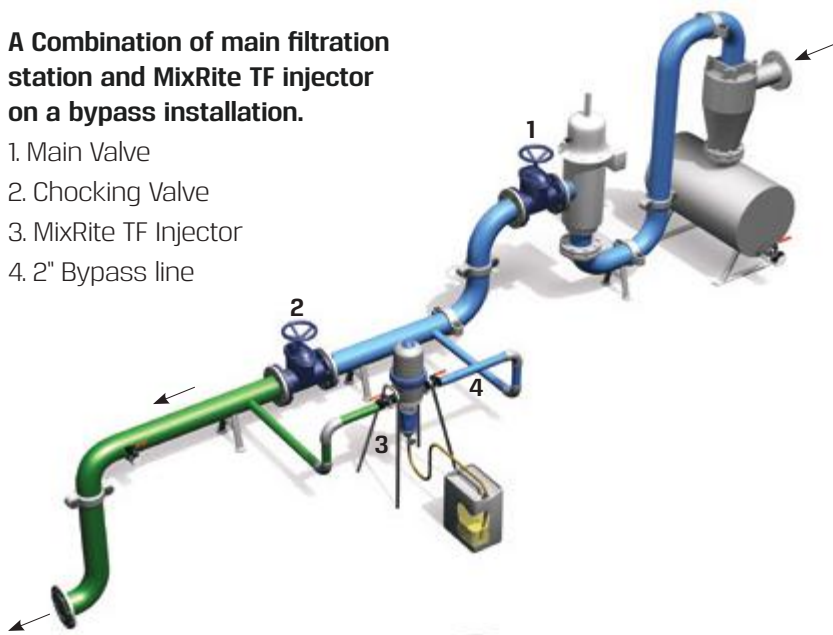
Bypass plastic piping installation with 4 different additives

1. Main Valve
2. Filter - 130 Micron Minimum
3. Chocking Valve
4. Fertilizer filter



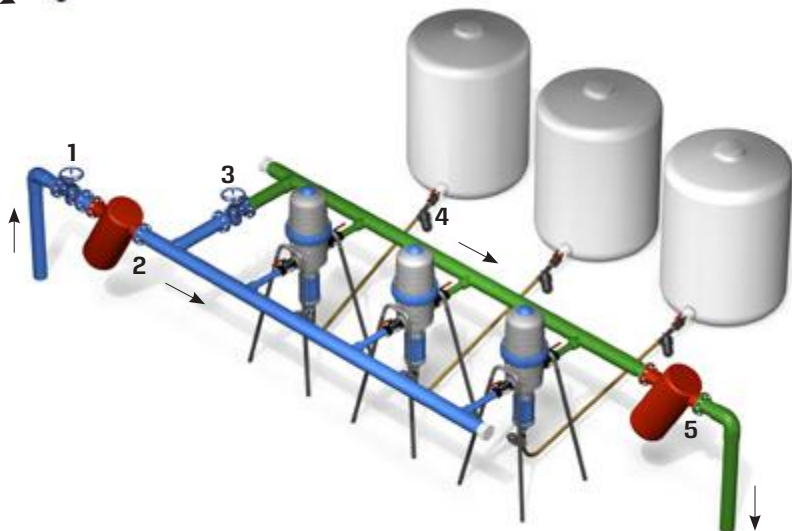
A Combination of main filtration station and MixRite TF injector on a bypass installation.

1. Main Valve
2. Chocking Valve
3. MixRite TF Injector
4. 2" Bypass line



A Typical Bypass array installation for three MixRite TF model injectors

1. Main water valve
2. Main water filter
3. Chocking Valve
4. Fertilizer Solution Filter
5. Mixing chamber (Empty filter)

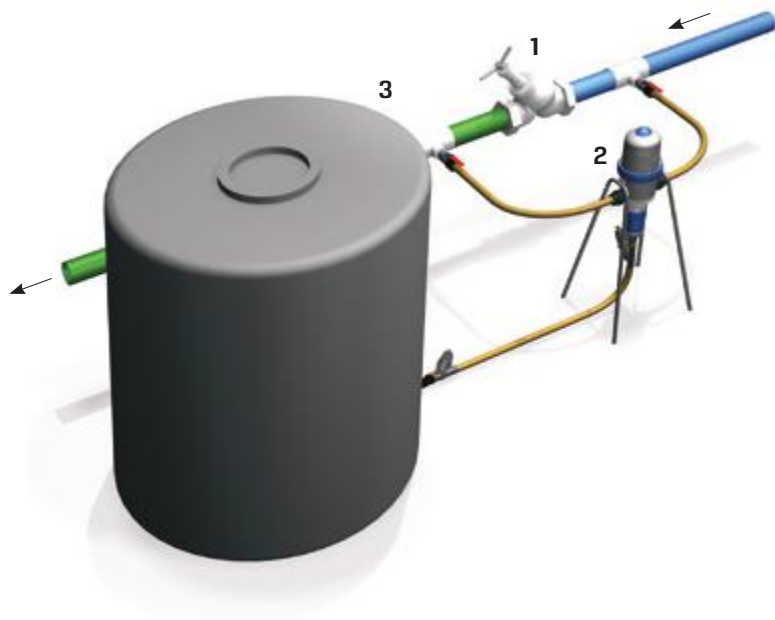


MixRite DOSING PUMPS

Typical installation



A typical double inline installation for MixRite TF models



A typical bypass installation for a single MixRite TF injector.

1. Chocking Valve
2. MixRite TF Injector
3. Fertilizer Reservoir Tank

MixRite

Accessories



3/4" FlowGuard
Cat. No. 38220000002



3/4" Pressure
Regulator
Cat. No. 38030200002



3/4" hydraulic Normally
Closed valve
Cat. No. 38000000011



Suction foot valve
Cat. No. 38005728104



3/4" Fertiguard
Cat. No. 38220000001



Plastic Wall mounting bracket
cat no. 36030162765
For all "3/4 MixRite models



3/4" Static
Pressure regulator
Cat. No. 38030200001



3/4" Water Filter
Cat. No.
38000000172



Plastic wall mounting bracket
and stand base
cat no. 36030162765
For MixRite TF5 & TF10 models



3/4" Anti
siphon kit
Cat. No. 36073008002



3/4" Back
flow preventor
Cat. No. 38030200004



Stainless Steel Wall
mounting Bracket
Cat No. 35000000010
For models TF25



Manual ON/OFF
Option



Hydraulic remote
control ON/OFF
Option



Electric remote
control ON/OFF
Option

